

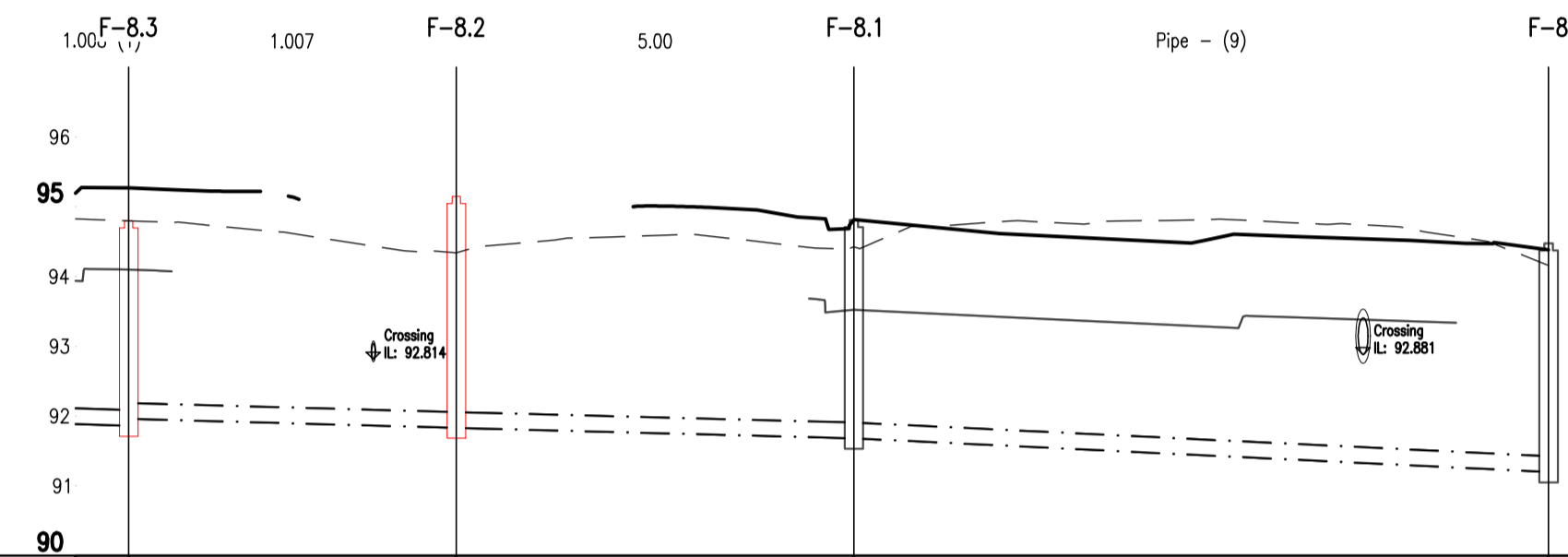
- NOTES:
- DO NOT SCALE. USE FIGURED DIMENSIONS ONLY.
  - THIS DRAWING IS TO BE READ IN CONJUNCTION WITH ALL OTHER RELEVANT ARCHITECTURAL AND ENGINEERING DRAWINGS.

**LEGEND**

- DESIGNED GROUND PROFILE
- EXISTING GROUND PROFILE
- 1200mm COVER
- PROPOSED FOUL WATER PIPES
- EXISTING FOUL WATER PIPES
- CROSSING PIPES

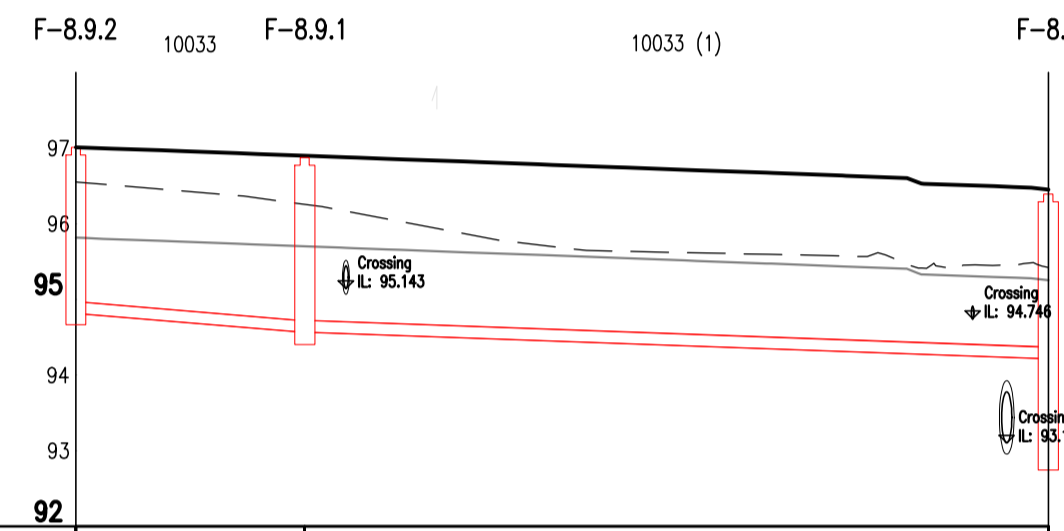
COVER LEVEL	95.62																	
INVERT LEVEL	93.560		93.110		92.894	92.892	92.892		92.776		92.530		92.401		92.109	92.013		91.830
DEPTH (m)	2.062		3.095		3.498	3.420		3.512		3.608		3.467		3.410	???			2.935
DISTANCE (m)		84.78		42.58		4.83	17.01		44.74		28.77		55.23		98	23.89		23.49
PIPE SLOPE		1:188		1:191		1:185	1:185		1:182		1:192		1:189		1:156	1:156		1:181
PIPE SIZE		225mm		225mm		225mm	225mm		225mm		225mm		225mm		225mm	225mm		225mm

LONGSECTION F-8.11 - F-8.1  
H-SCALE 1:500 V-SCALE 1:100



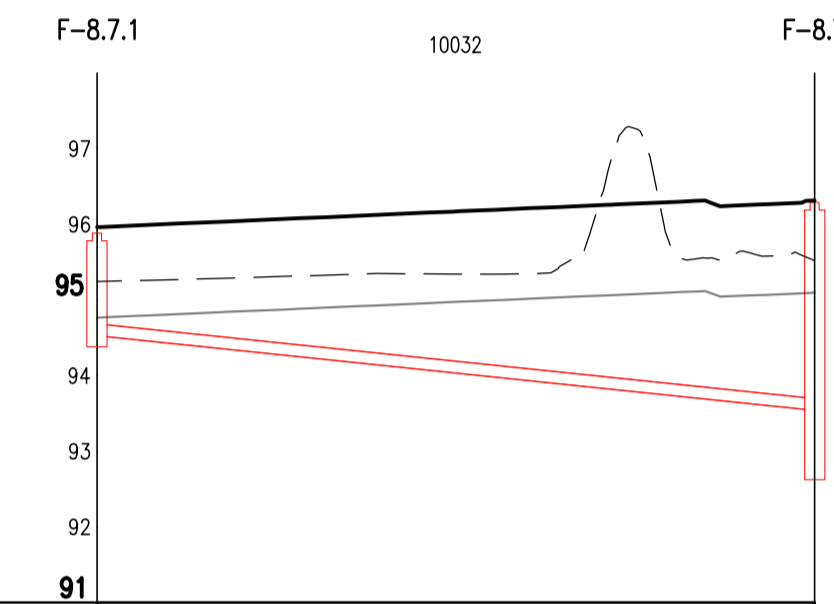
COVER LEVEL								
INVERT LEVEL	92.013	91.859	91.560	91.830	91.680	91.680	91.198	94.473
DEPTH (m)	2.935	2.935	3.316		3.128			3.275
DISTANCE (m)	23.89	23.49		28.49		49.78		
PIPE SLOPE	1:156	1:181		1:190		1:103		
PIPE SIZE	225mm	225mm		225mm		225mm		

LONGSECTION F-8.11 - F-8.1  
H-SCALE 1:500 V-SCALE 1:100



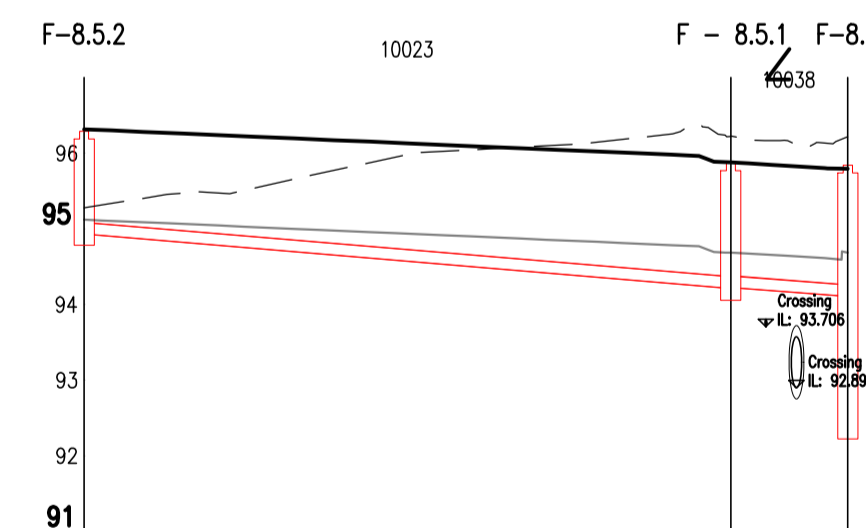
COVER LEVEL	97.008	
INVERT LEVEL	94.816	94.564
DEPTH (m)	2.192	2.518
DISTANCE (m)	15.13	49.16
PIPE SLOPE	1:60	1:139
PIPE SIZE	150mm	150mm

LONGSECTION F-8.9.1 - F-8.9  
H-SCALE 1:500 V-SCALE 1:100



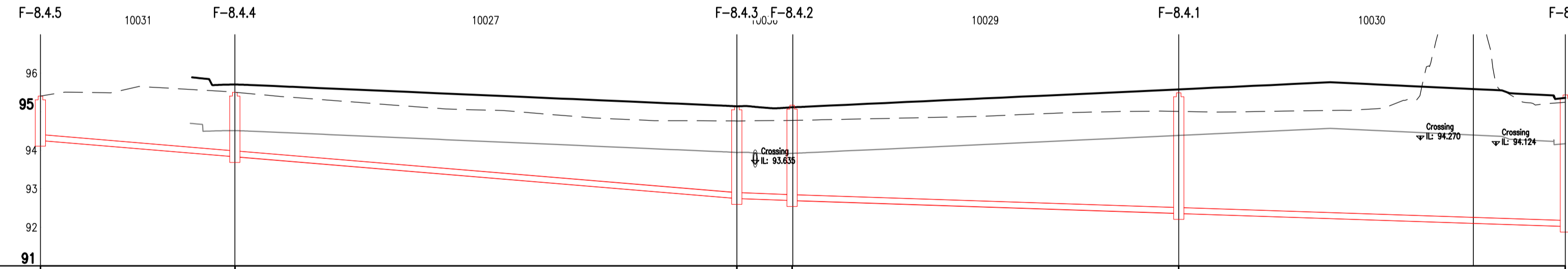
COVER LEVEL	96.882
INVERT LEVEL	94.531
DEPTH (m)	1.351
DISTANCE (m)	47.44
PIPE SLOPE	1:48
PIPE SIZE	150mm

LONGSECTION F-8.7.1 - F-8.7  
H-SCALE 1:500 V-SCALE 1:100



COVER LEVEL	96.287		
INVERT LEVEL	94.932	94.214	94.107
DEPTH (m)	1.354	1.665	3.467
DISTANCE (m)		42.75	7.73
PIPE SLOPE		1:60	1:65
PIPE SIZE		150mm	150mm

LONGSECTION F-8.5.2 - F-8.5  
H-SCALE 1:500 V-SCALE 1:100



COVER LEVEL	95.406							
INVERT LEVEL	94.254	93.831	93.502	92.749	92.749	92.695	92.695	92.360
DEPTH (m)	1.152	1.671		2.403	2.478			3.134
DISTANCE (m)		25.24	65.17	7.17		50.19		50.19
PIPE SLOPE		1:60	1:60	1:133		1:150		1:150
PIPE SIZE		150mm	150mm	150mm		150mm		150mm

LONGSECTION F-8.4.5 - F-8.4  
H-SCALE 1:500 V-SCALE 1:100

REV.	DATE	DESCRIPTION	BY	CHKD
~	02/10/20	SHD APPLICATION ISSUE	MK	IS
		AMENDMENT	DRN	APPD

STATUS **FOR SHD APPLICATION**

**Waterman Moylan**  
Engineering Consultants

BLOCK 5, EASTPOINT BUSINESS PARK, ALFIE BYRNE ROAD,  
DUBLIN D03 K7W7 IRELAND.  
Tel: (01) 664 8900 Fax: (01) 661 3618  
Email: info@waterman-moylan.ie www.waterman-moylan.ie

CLIENT **GASTELTHORN CONSTRUCTION ULC**  
ARCHITECT **O'MAHONY PIKE ARCHITECTS**

PROJECT  
**PROPOSED PHASE 2 RESIDENTIAL DEVELOPMENT AT DUNSHAUGHLIN, CO. MEATH**

TITLE  
**FOUL LONG SECTIONS SHEET 3 OF 5**

DRAWN	DESIGNED	APPROVED	DATE
MK	KV	IS	OCT. 2020
SCALE	JOB NO.	DRG. NO.	REVISION
AS SHOWN	12-081A	P220-III	~